

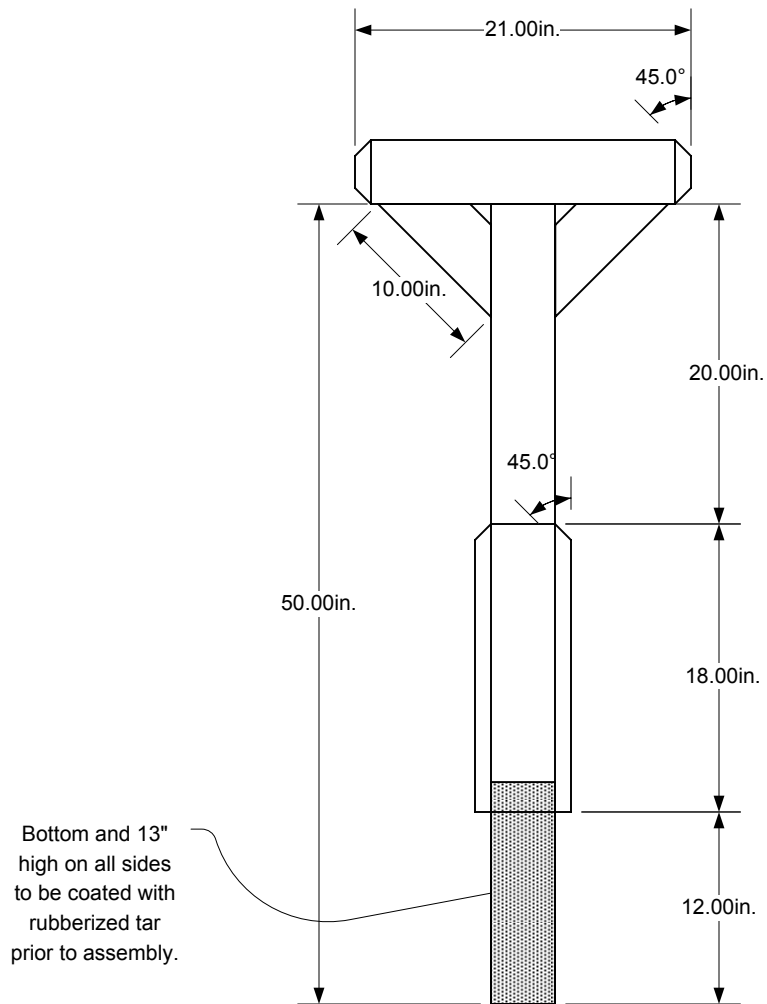
Single
Mailbox



Connolly Construction Co.

Scale: 1" = 1'-0"

Drawn 03/01/07, JRC



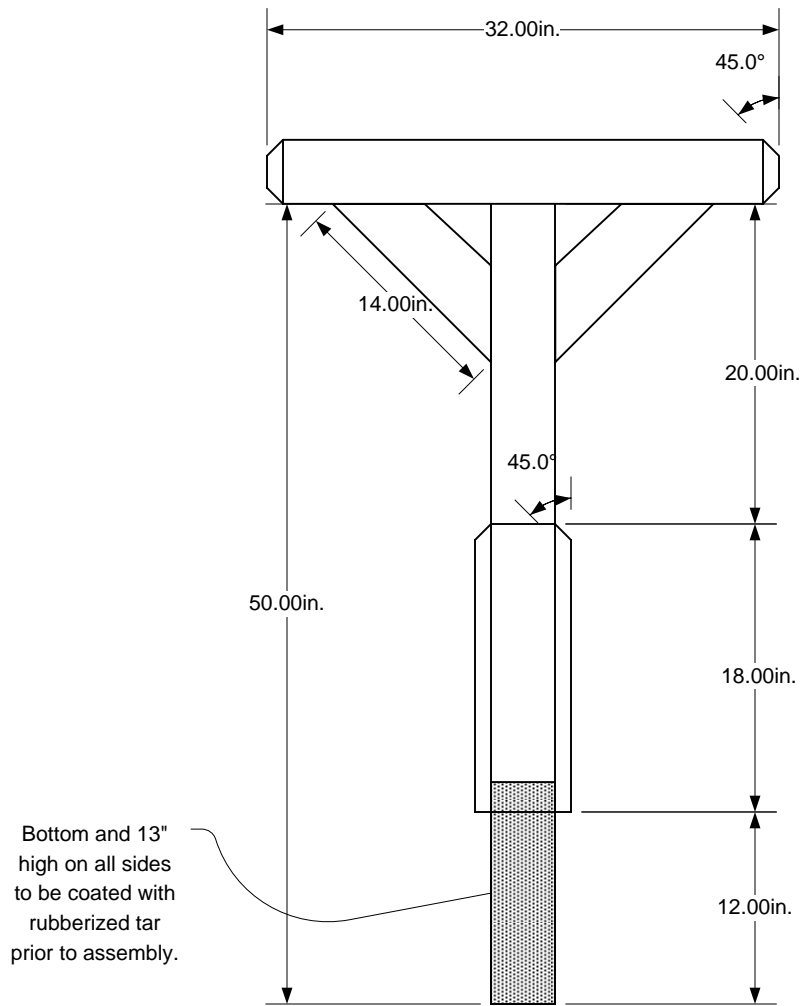
Double
Mailbox



Connolly Construction Co.

Scale: 1" = 1'-0"

Drawn 03/01/07, JRC



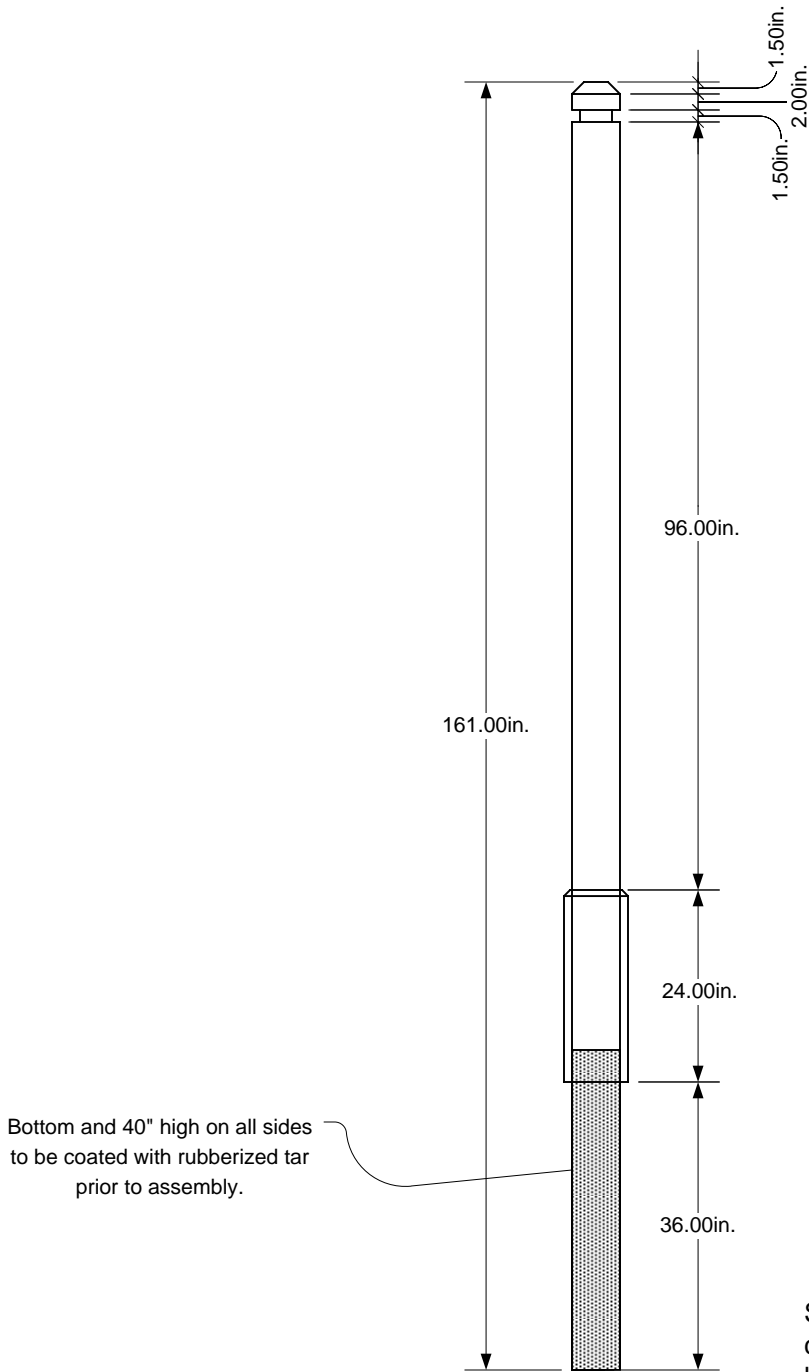
Triple
Mailbox



Connolly Construction Co.

Scale: 1" = 1'-0"

Drawn 03/01/07, JRC



Sign backer boards vary by sign. To be constructed of 3/4" MDO signboard, cut 1" larger than the sign on all sides, and have a "roman ogee" profile routed on front-side edges.

Street Sign Post



Connolly Construction Co.

Scale: 1/2" = 1'-0"

Drawn 02/28/08, JFC